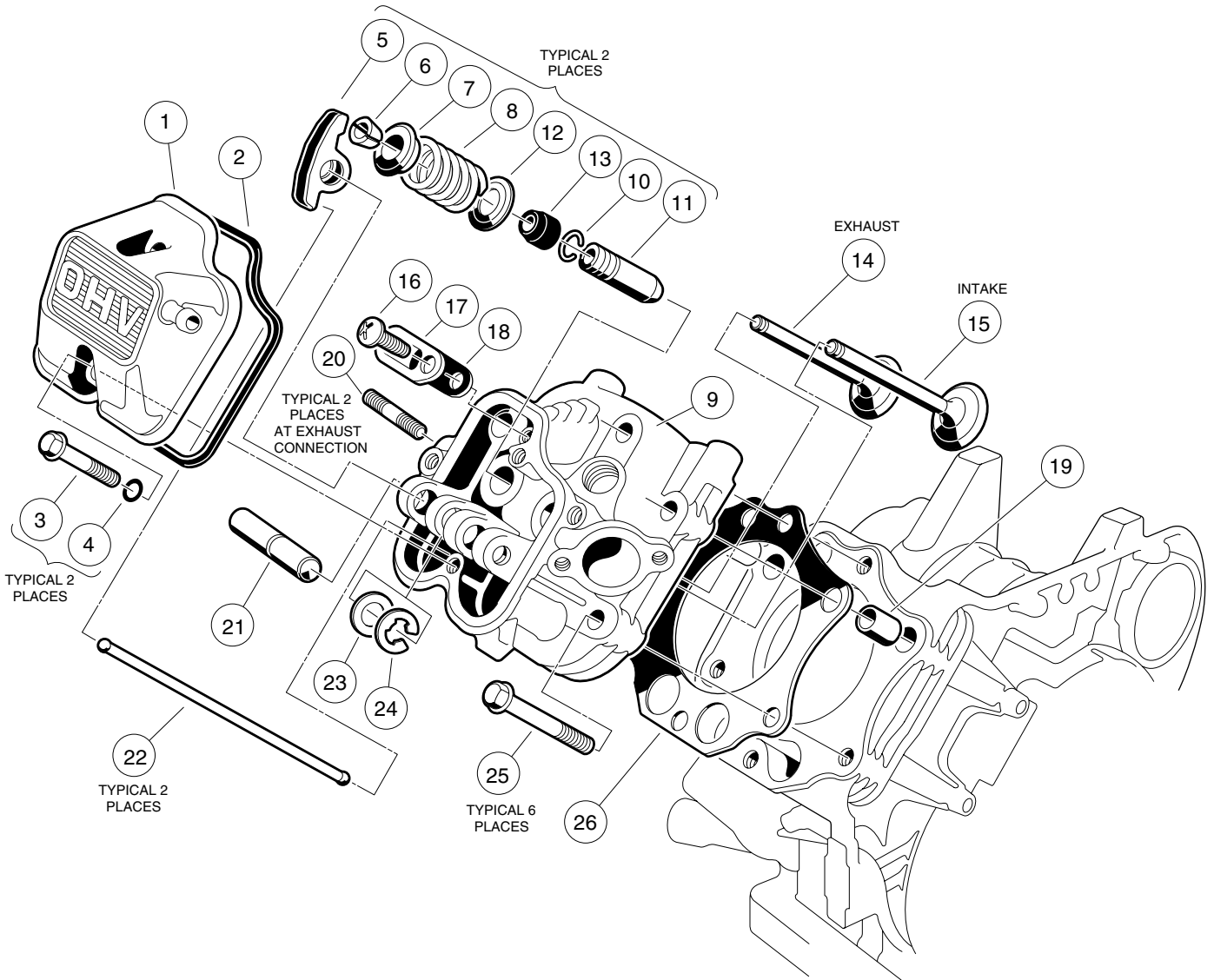


# FE 350 ENGINE CARRYALL II PLUS AND VI

**6**

**G**

ITEM	PART NO.	DESCRIPTION	QTY
		1 2 3 4	
1	1016467	OIL FILTER .....	1
2	1016502	BRACKET, OIL FILTER .....	1
3	1016457	BOLT, FLANGED HEX HEAD, M6 x 1 x 40MM .....	2
4	1017507	PLUG .....	2
5	1016570	O-RING .....	1
6	1016432	GASKET, DRAIN PLUG .....	2
7	1016576	PLUG, DRAIN .....	2
8	1017456	SCREW, FLANGED HEX HEAD, M6 x 1 x 12MM .....	6
9	1017460	COVER, PUMP .....	1
10	1016435	GASKET, OIL PUMP .....	1
11	1016473	PLATE, OIL PUMP .....	1
12	1016482-03	PUMP, OIL, AND ROTOR .....	1
13	1017458	FILTER .....	1
14	1016429	SEAT, VALVE .....	1
15	1016537	BALL, STEEL, PRESSURE RELIEF .....	1
16	1016581	SPRING .....	1

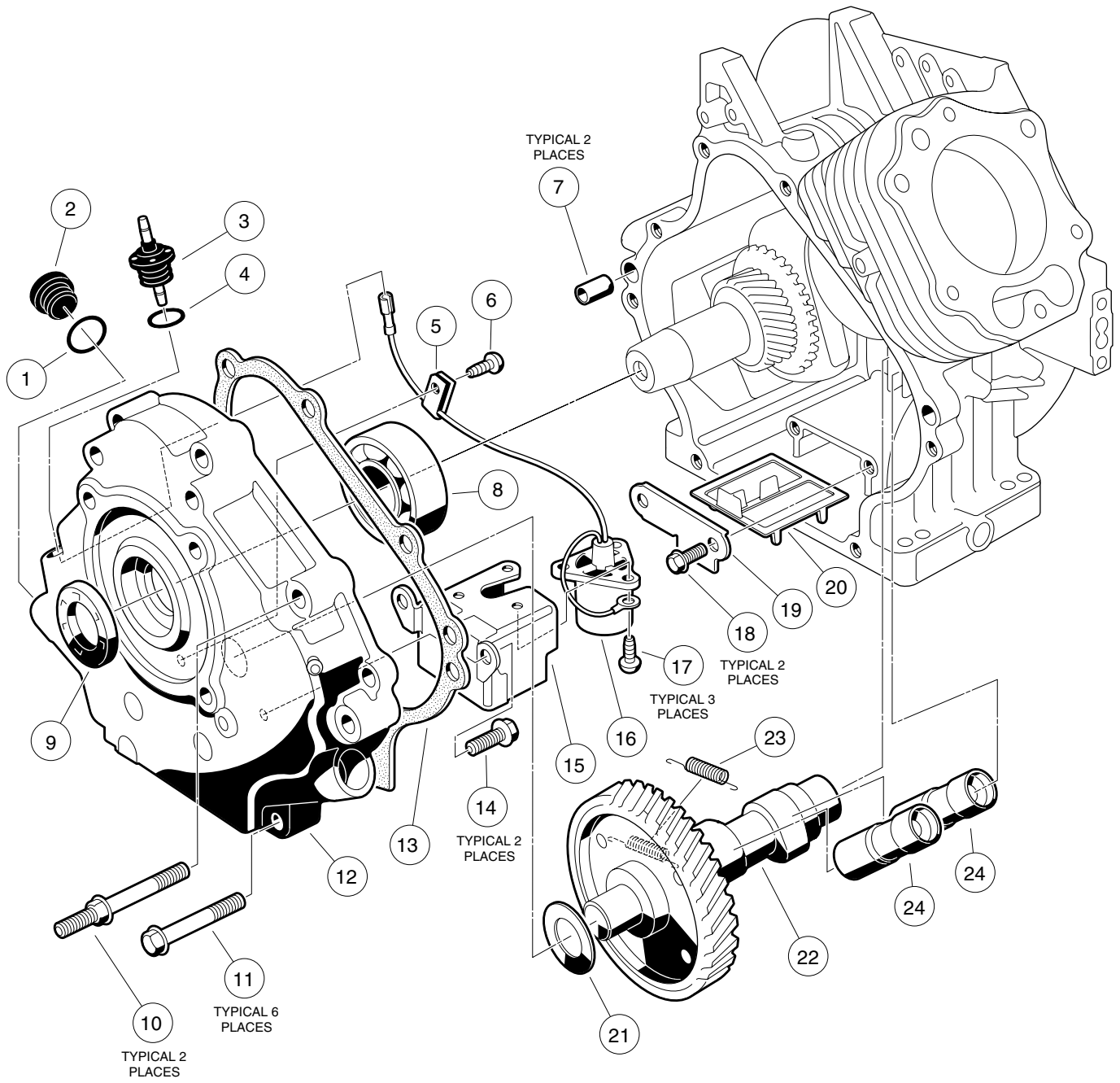


# FE 350 ENGINE CARRYALL II PLUS AND VI

**6**

**G**

ITEM	PART NO.	DESCRIPTION	QTY
		1 2 3 4	
1	1016442	CASE, ROCKER .....	1
2	1016436	GASKET, ROCKER CASE .....	1
3	1016583	BOLT, FLANGED, M6 x 1 x 35MM .....	2
4	1016569	O-RING .....	2
5	1017446	ARM, ROCKER .....	2
6	1016450	COLLET .....	4
7	1016449	RETAINER, VALVE SPRING .....	2
8	1017473	SPRING, ENGINE VALVE .....	2
9	1017435	ASSEMBLY, CYLINDER HEAD, FE 350 (INCLUDES ITEMS 10 AND 11) .....	1
10	1016560	RING, SNAP .....	2
11	1016519	GUIDE, VALVE .....	2
12	1016479	SEAT, SPRING .....	2
13	1016566	SEAL, VALVE .....	2
14	1017445	VALVE, EXHAUST .....	1
15	1017444	VALVE, INTAKE .....	1
16	1016544	SCREW, CROSS PAN HEAD SELF-TAPPING, M5 x .8 x 12MM .....	1
17	1016474	PLATE .....	1
18	1016483	VALVE .....	1
19	1016563	PIN .....	2
20	1016489	BOLT, STUD, M8 x 1.25 x 29MM .....	2
21	1016452	SHAFT, ROCKER .....	1
22	1017454	ROD, PUSH .....	2
23	1016549	WASHER, FLAT, M12 .....	1
24	1016517	CIRCLIP, TYPE-E .....	1
25	1016458	BOLT, FLANGED, M8 x 1.25 x 45MM .....	6
26	1017434	GASKET, HEAD .....	1

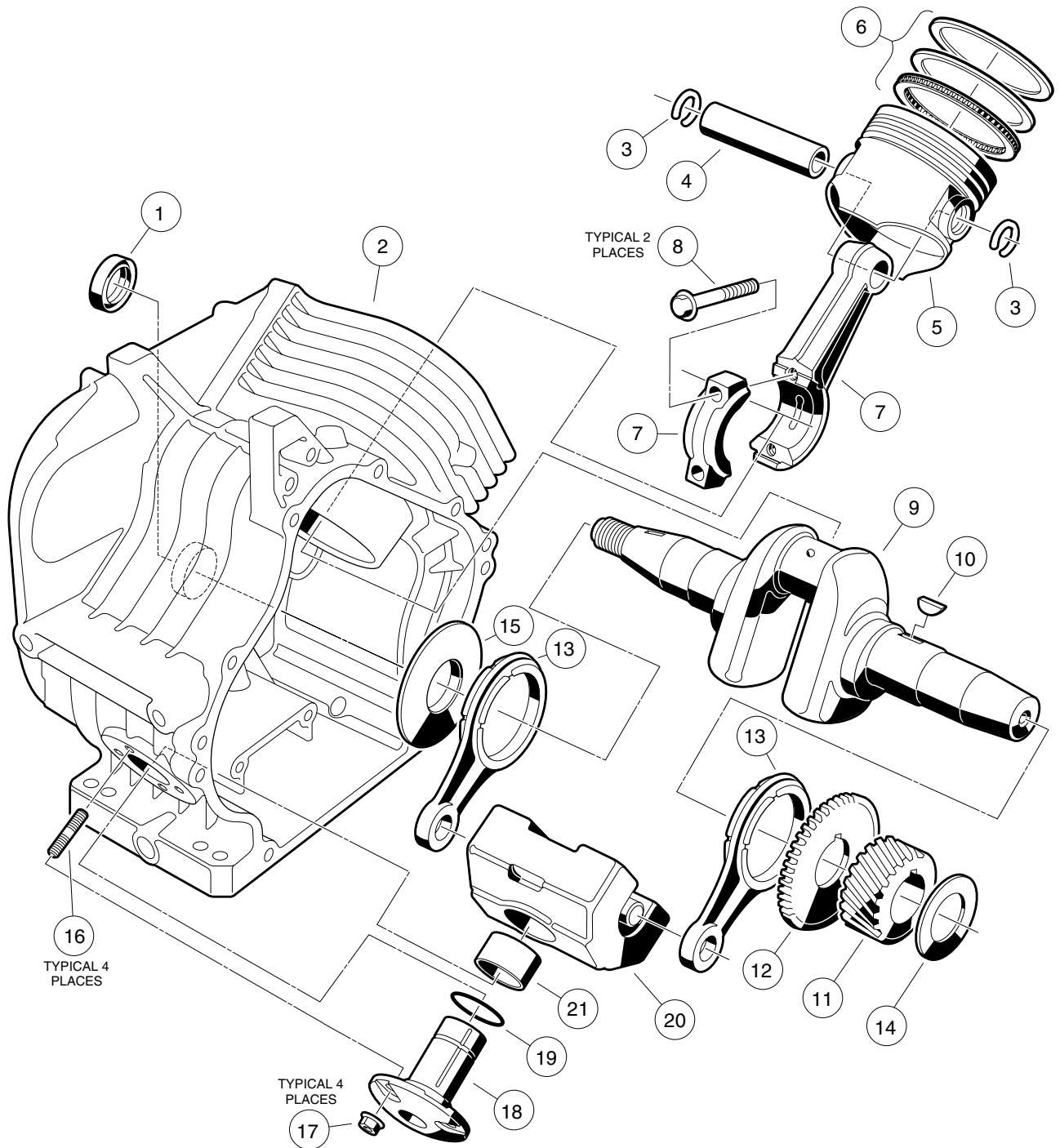


# FE 350 ENGINE CARRYALL II PLUS AND VI

**6**

**G**

ITEM	PART NO.	DESCRIPTION	QTY
		1 2 3 4	
1	1016538	O-RING .....	1
2	1017508	PLUG .....	1
3	1016535	CONNECTOR, OIL SENDING UNIT .....	1
4	1016538	O-RING .....	1
5	1016506	CLAMP .....	1
6	1016544	SCREW, CROSS PAN HEAD SELF-TAPPING, M5 x .8 x 12MM .....	1
7	1016564	PIN .....	2
8	1017487	BEARING, CRANKSHAFT .....	1
9	1017504	SEAL, CRANKSHAFT .....	1
10	1016584	SCREW, 2-ENDED FLANGED, M8 x 1.25 x 69MM .....	2
11	1017514	BOLT, FLANGED, M8 x 1.25 x 45MM .....	6
12	1017472	COVER, CRANKCASE .....	1
13	1017443	GASKET, CRANKCASE COVER .....	1
14	1017513	BOLT, FLANGED, M6 x 1 x 12MM .....	2
15	1016510	BRACKET, OIL LEVEL SWITCH .....	1
16	1016494	SENSOR, OIL LEVEL .....	1
17	1016496	SCREW, CROSS PAN HEAD, M4 x .7 x 8MM .....	3
18	1016454	BOLT, FLANGED, M5 x .8 x 8MM .....	2
19	1016472	PLATE, OIL FILTER SCREEN .....	1
20	1016521	SCREEN, OIL FILTER .....	1
21	1017518-01	SHIM, 0.3MM THICK .....	A/R
21	1017518-02	SHIM, 0.4MM THICK .....	A/R
21	1017518-03	SHIM, 0.5MM THICK .....	A/R
22	1017478	CAMSHAFT, FE 350 (INCLUDES ITEM 23) .....	1
23	1017511	SPRING .....	1
24	1017447	LIFTER, HYDRAULIC .....	2



# FE 350 ENGINE CARRYALL II PLUS AND VI

**6**

**G**

ITEM	PART NO.	DESCRIPTION	QTY
		1 2 3 4	
1	1017503	SEAL, OIL .....	1
2	1017479	CRANKCASE, COMPLETE, FE 350 .....	1
3	1017502	RING, SNAP .....	2
4	1017450	PIN, PISTON .....	1
5	1017449-01	PISTON, STANDARD .....	1
5	1017449-02	PISTON, .50MM OVERSIZED .....	1
6	1017451-01	RING SET, PISTON, STANDARD .....	1
6	1017451-02	RING SET, PISTON, .50MM OVERSIZED .....	1
7	1017457-01	ASSEMBLY, CONNECTING ROD, STANDARD (INCLUDES 2 EACH OF ITEM 8) .....	1
7	1017457-02	ASSEMBLY, CONNECTING ROD, .50MM UNDERSIZED) (INCLUDES 2 EACH OF ITEM 8) .....	1
8	1017512	BOLT, HEX HEAD, M7 x 1 x 36MM .....	2
9	1017452	CRANKSHAFT, COMPLETE, FE 350 (INCLUDES ITEMS 10 - 13) .....	1
10	1016562	KEY .....	1
11	1016533	GEAR, HELICAL .....	1
12	1016532	GEAR, SPUR .....	1
13	1017457	ROD .....	2
14	1017733-01	SHIM, CRANKSHAFT, 1.18MM THICK .....	A/R
14	1017733-02	SHIM, CRANKSHAFT, 1.25MM THICK .....	A/R
14	1017733-03	SHIM, CRANKSHAFT, 1.32MM THICK .....	A/R
14	1017733-04	SHIM, CRANKSHAFT, 1.39MM THICK .....	A/R
14	1017733-05	SHIM, CRANKSHAFT, 1.46MM THICK .....	A/R
14	1017733-06	SHIM, CRANKSHAFT, 1.53MM THICK .....	A/R
14	1017733-07	SHIM, CRANKSHAFT, 1.60MM THICK .....	A/R
14	1017733-08	SHIM, CRANKSHAFT, 1.67MM THICK .....	A/R
14	1017733-09	SHIM, CRANKSHAFT, 1.74MM THICK .....	A/R
14	1017733-10	SHIM, CRANKSHAFT, 1.11MM THICK .....	A/R
14	1017733-11	SHIM, CRANKSHAFT, 1.81MM THICK .....	A/R
15	1017502	SPACER .....	1
16	1016541	BOLT, STUD, M6 x 1 x 22MM .....	4
17	1016547	NUT, FLANGED, M6 x 1 .....	4
18	1016470	SHAFT, GUIDE COUNTERBALANCE .....	1
19	1016571	O-RING .....	1
20	1017453	WEIGHT, COUNTERBALANCE (INCLUDES ITEM 21) .....	1
21	1017510	BEARING .....	1